



### Ultimate Flexibility in a Smaller Array

The Iconyx Compact series brings the ultimate flexibility of the Iconyx to a smaller footprint array. An all-new, thirty-six channel digital amplifier powers thirty-six 3" / 77 mm full-range, high sensitivity, treated paper cone drivers. With an amplifier and DSP channel for each driver, all of the flexibility of Iconyx is now available in a package nearly 40% smaller than the classic Iconyx.

While the package is smaller, the performance is not. Full RHAON II beam-steering with our latest U.R.G.O beam algorithms allows for a movable acoustic center, multiple beam opening angles and high-pass filtering of individual beams — all with the fidelity and musicality expected of a Renkus-Heinz product.

#### Applications

- The Iconyx Compact series brings high directivity and digital beam-steering to architecturally sensitive venues.
- In traditional houses of worship where high directivity is necessary, the Iconyx Compact series offers speech intelligibility with absolute minimal visual impact.
- Corporate spaces and atria benefit from the high acoustic directivity and the clean, modern styling.
- In transportation hubs like airports and train stations, the Iconyx Compact series offers new levels of intelligibility and fidelity in a compact loudspeaker.

The Iconyx Compact series brings the performance and directivity of Iconyx to spaces where even the classic Iconyx arrays are too large. The narrow cabinet and included, nearly invisible, wall-mount bracket will disappear into even the most architecturally sensitive spaces while the exceptional vertical directivity can help penetrate even the most challenging acoustics, making the acclaimed performance of Iconyx loudspeakers more accessible than ever before.

The ICC36/3 is available in white and black standard; custom color matching is optional. Standard -RN units have analog and AES inputs, -RD1 units include Dante network audio. RHAON II support is standard for all models.

## Iconyx Compact Series

# ICC36/3-RN & RD1

Dual Array Module

## Very Compact Digitally Steerable Line Array



#### • Compact, slender enclosure

All of the features of the classic Iconyx in a smaller, stylish, fully modular array system.

#### • 36 x 3" / 77 mm Full-range drivers

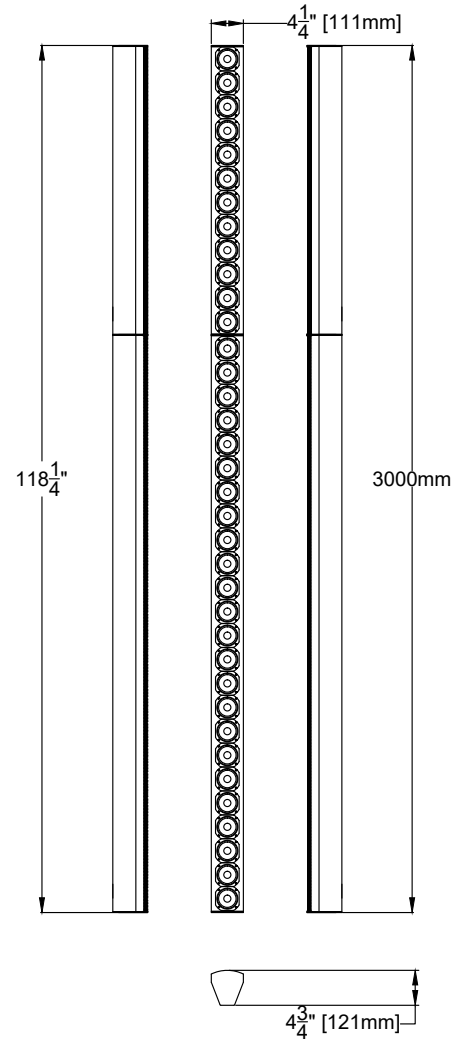
High fidelity components and constant driver spacing make the IC Compact series the most flexible compact array system available.

#### • Custom Options available

Custom color, weather resistant enclosures, and Dante network audio are all available.

## Iconyx Compact Series Array Specifications

<b>ICC36/3-RN ICC36-RD1 (Dante)</b>	
<b>Frequency Response:</b>	135 Hz to 17 kHz (-3dB) 110 Hz to 20 kHz (-10 dB)
<b>Sensitivity:</b>	1.4 V RMS for rated output, analog
<b>Calculated Max. SPL:</b>	136 dB Peak @1m, whole-space (106 dB @30m)
<b>Dispersion:</b>	120° horizontal below 3 kHz, 90° above 3 kHz. x adjustable vertical
<b>Beam Control:</b>	Steerable from 300 Hz and up, Directivity from 150 Hz and up
<b>Aiming Angle:</b>	Adjustable from -30° to +30°
<b>Vertical Opening Angles:</b>	10° to 30° UniBeam (computer adjustable)
<b>Transducers:</b>	36 x 3 in. / 77 mm, full-range, high sensitivity, treated paper cone driver
<b>Enclosure:</b>	Folded aluminum
<b>Grille:</b>	20 GA powder-coated, plated steel
<b>Finish:</b>	Black (RAL9011) or White (RAL9010) paint, standard, custom color available
<b>Mounting:</b>	W-WALL-IC3-36 wall mount bracket.
<b>Dimensions:</b>	4-3/8" (111 mm) <b>w</b> 118-1/8" (3000 mm) <b>h</b> 4-3/4" (121 mm) <b>d</b>
<b>Weight:</b>	78 lbs/35.5 kg
<b>Amplifier Specifications</b>	
<b>Power Output:</b>	Thirty-Six Channel Amplifier. Multi-band peak and thermal limiting on all channels protects the drivers.
<b>Mains Voltage:</b>	100-240 V, 50/60 Hz auto-switching
<b>Power Consumption:</b>	Idle: 0.45 A (120 V) / 0.23 A 1/8 power: 1.28 A (120 V) / 0.64 A (240 V) 1/3 power: 3.43 A (120 V) / 1.71 A (240 V)
<b>Power Connector:</b>	Hard-wired Wago Quick Connection
<b>Audio Connections:</b>	2 x Phoenix In & Loop-out, Analog and AES
<b>Latency:</b>	9 ms
<b>User DSP:</b>	Eight parametric filters, high & low shelf, high & low pass filters, delay to 340 ms.
<b>Software:</b>	RHAON II & Dante Controller for Dante option
<b>Max. Input Level:</b>	+24 dBu, Analog; 0 dBFS digital
<b>Network Connections:</b>	2 x RJ45, Looping Ethernet/RHAON/optional Dante
<b>Temperature Limits</b>	Max.: 140° F/60° C, with no direct sun exposure Min.: -22° F/-30° C; leave unit on to keep interior warm below 32° F/0° C.
<i>Note: All analog inputs and outputs comply with AES Standard 48-2005 on interconnecting, grounding and shielding.</i>	



**ICC36/3-RN  
ICC36/3-RD1**