



FEATURES

- 4" + 1" Coaxial Transducer
- 4" Passive Radiator
- Bass Response Down to 100 Hz
- 85° Conical Coverage Pattern
- High Fidelity
- IP55 + Salt Water Resistant

APPLICATIONS

- Restaurants
- Monitors
- Front Fills
- Outdoor Systems

DESCRIPTION

The C4i is a unique point source, coaxial loudspeaker. This model is extremely light, compact and discreet. Each Cannon model utilizes a low frequency driver with a coaxially mounted 1" silk dome high frequency driver. The Cannons' silk dome driver is a purpose-built, ferrofluid-cooled design that enables high sound pressure levels, with improved sound quality, as well as consistency and durability over time. The enclosure also incorporates a rear-facing passive radiator specifically tuned to extend the bass frequency response. These key features allow the C4i to provide the sound quality of a studio monitor.

The C4i features a screw terminal block connector, with parallel link output.

SPECIFICATIONS

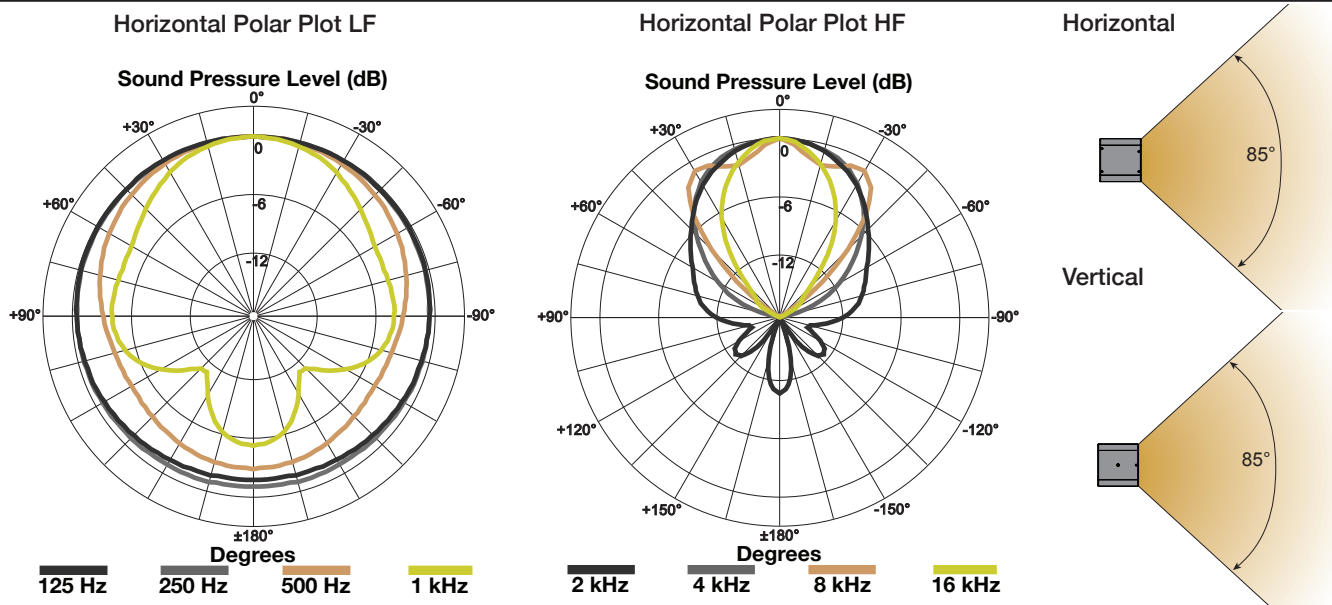
Audio Specifications

- Description:** Passive 4" coaxial with a 4" passive radiator
- Bandwidth:** 100 Hz - 18 kHz (-6 dB)
- Max SPL:** 111 dB SPL @ 1 m w/ preset
- Power:** 200 watts (continuous), 100 watts (AES)
- Directivity:** 85° conical
- Elements:** (1) 4" coaxial with a 1" dome high frequency element, (1) 4" passive radiator
- Impedance:** 8 Ω
- Connectors:** (1) screw terminal block with input +/- and link +/-

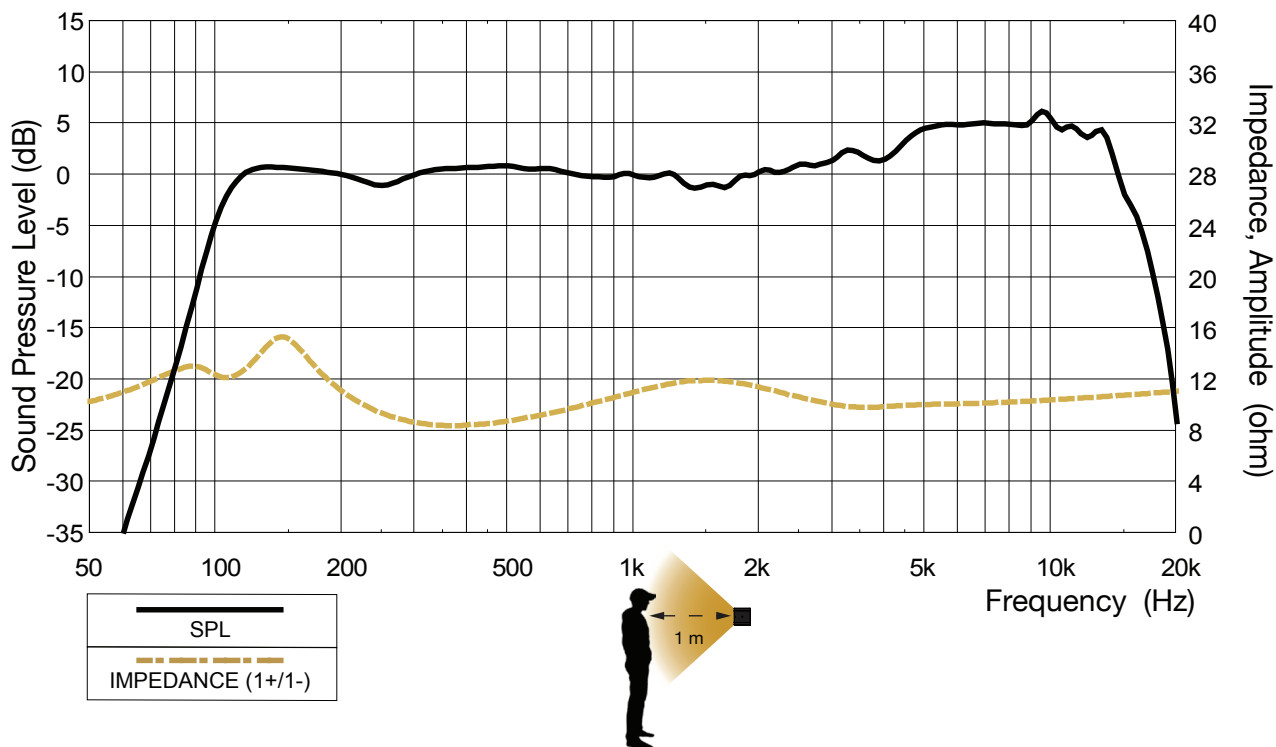
Mechanical Specifications

- IP Rating:** IP55 indoor/outdoor and salt water resistant
- Rigging:** (4) M6 points
- Weight:** 5.1 lb / 2.3 kg
- Construction:** Finland birch plywood (phenolic glue), structural stainless steel interior, polyurea, clear matte salt and UV resistant coating, 316 stainless steel hardware, 3D spacer mesh fabric
- Dimensions:** 5.9" (150 mm) x 5.9" (150 mm) x 7" (180 mm)
- Colors:** Stocking black and white, custom colors and fabrics available
- Accessories:** C-Clamp (wall, truss, mic stand, ceiling mounting), Universal Mounting Plate, Pole Mount Adaptor, L-Bracket

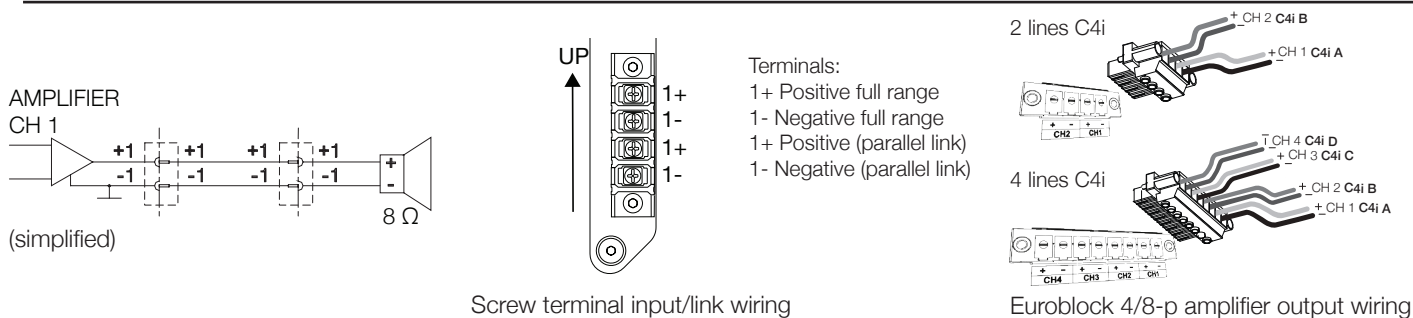
DIRECTIVITY



FREQUENCY RESPONSE

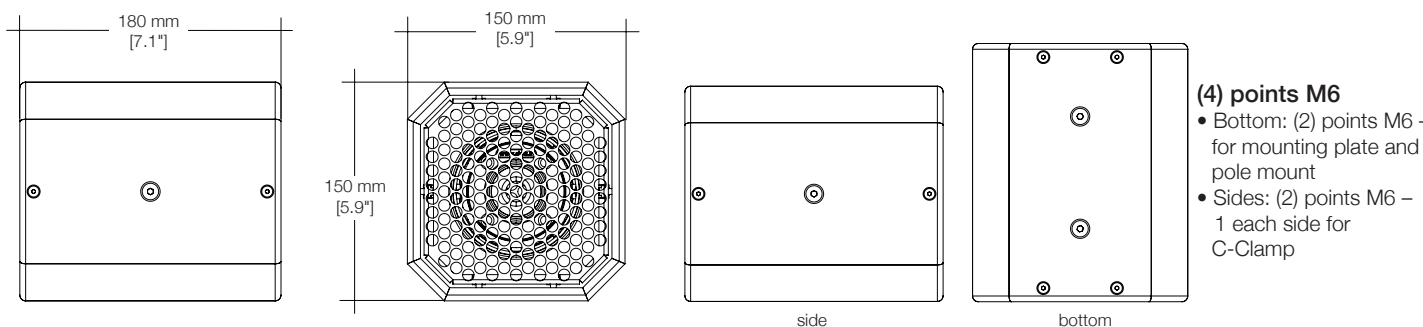


WIRING



DIMENSIONS

RIGGING



ACCESSORIES



Contact

For more product or service information please contact the 1 SOUND headquarters.

1 SOUND, Manufacturer
USA Distributor
34 Apple Street
Tinton Falls, NJ 07724

tel. +1-732-798-9900
sales@1-sound.com

Warranty

All manufactured 1 SOUND products are warranted to be free from defects in materials or workmanship for a period of 3 years from original purchase. If there is specific hardware or grilles you might want replaced or any repairs needed please contact your region's authorized 1 SOUND distributor.

