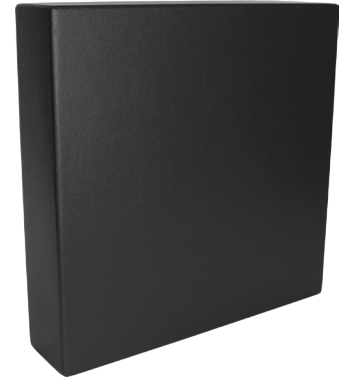


FEATURES

- One 5" low frequency driver
- Extended bass response down to 36 Hz
- Extremely compact and discreet
- Recessed French cleat wall-mount system
- Removable rubber feet for floor deployment
- IP55 + Salt Water Resistant

APPLICATIONS

- Restaurants
- Lounges
- Residential Systems
- Hospitality



DESCRIPTION

The MiniSUB5 offers substantial bass reinforcement, while its unique form factor makes it the ideal compact subwoofer for installations where space is at a premium and discretion is important. This sub incorporates one 5" driver that allows it to generate up to 108 dB SPL, with a bass extension down to 36 Hz, remarkable for its size.

This bass enclosure has a square profile, 20" on each side, and is only 4.75" deep. Its sleek design, with no visible branding, features an integrated French cleat installation system for simple and secure wall installation. It also has four conventional M6 rigging points, as well as removable rubber feet for low-profile floor or shelf deployment.

SPECIFICATIONS

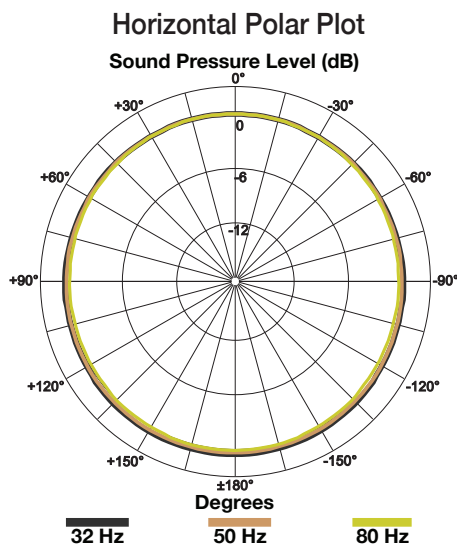
Audio Specifications

- Description:** Passive, compact, narrow-profile installation subwoofer
- Bandwidth:** 36 Hz - 160 Hz (-6 dB preset dependent)
- Max SPL:** 108 dB SPL @ 1 m with preset
- Power:** 240 watts (continuous), 120 watts (AES)
- Directivity:** Omnidirectional
- Elements:** (1) 5" low frequency driver
- Impedance:** 8 Ω
- Connectors:** (1) Screw terminal block with input +/- and link +/-

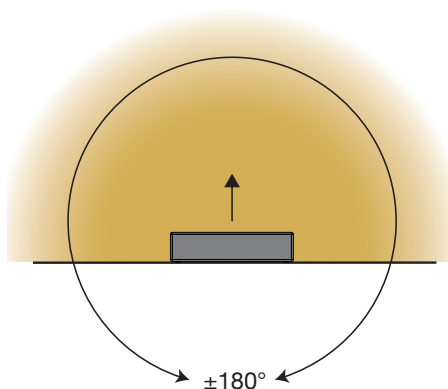
Mechanical Specifications

- IP Rating:** IP55 indoor/outdoor and salt water resistant
- Rigging:** (4) points M6, integrated French cleat
- Weight:** 17.7 lbs / 8 kg
- Construction:** Finland birch plywood (phenolic glue), clear, matte salt and UV resistant polyurea coating, 316 stainless steel and aluminum hardware
- Dimensions:** 4.7" (120 mm) x 20" (508 mm) x 20" (508 mm)
- Colors:** Stocking black and white, custom colors and fabrics available
- Accessories:** French Cleat (wall hanging), low profile feet (floor support)

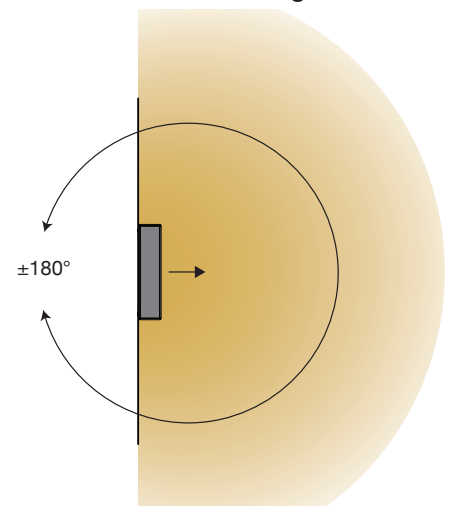
DIRECTIVITY



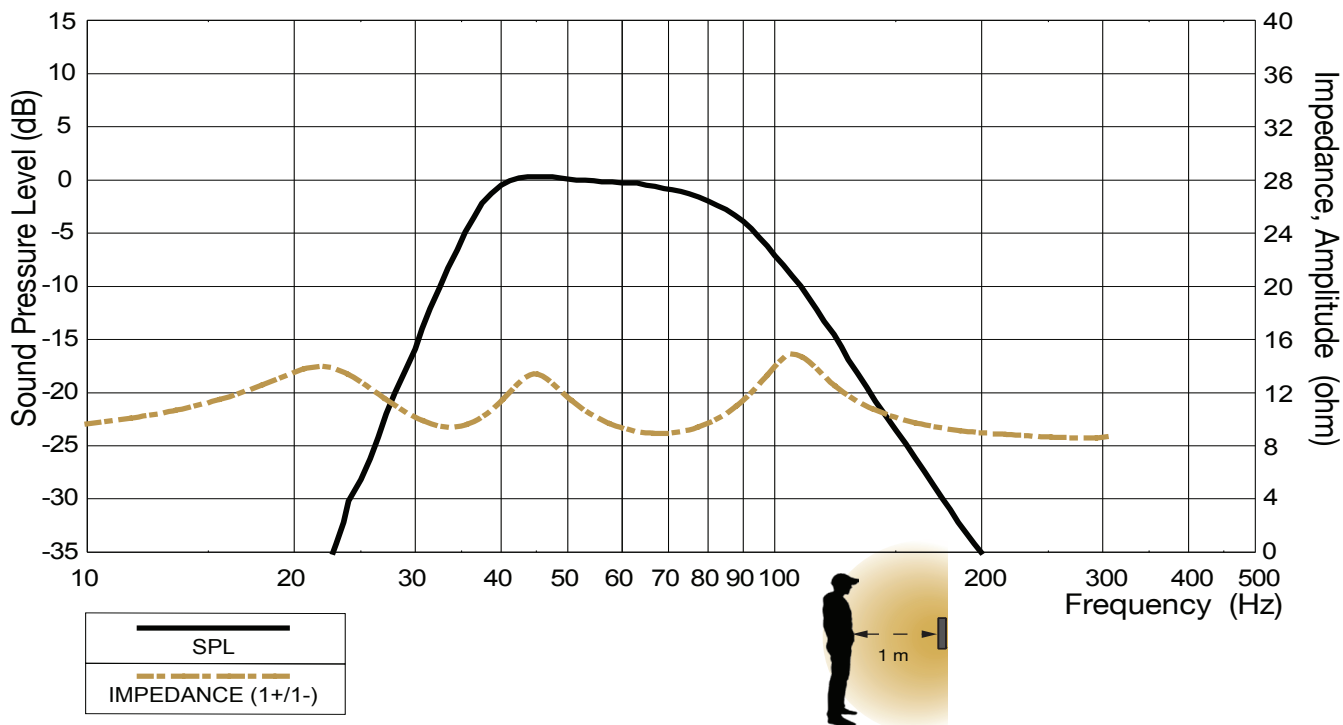
Horizontal Coverage



Vertical Coverage

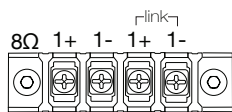
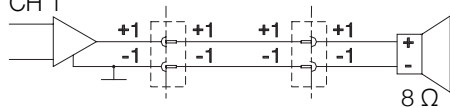


FREQUENCY RESPONSE



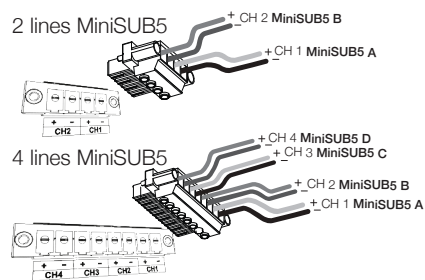
WIRING

AMPLIFIER
CH 1



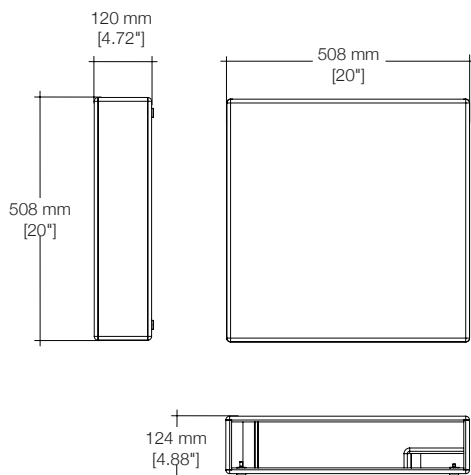
Terminals:
1+ Positive
1- Negative
1+ Positive (parallel link)
1- Negative (parallel link)

Screw terminal input/link wiring

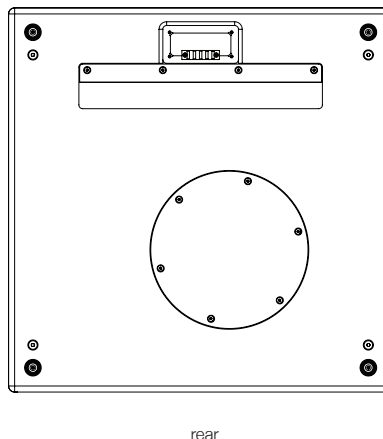


Euroblock 4/8-p amplifier output wiring

DIMENSIONS



RIGGING



(4) points M6
• Rear: (4) M6 points
• Rear: (1) French cleat wall-mount system

Contact

For more product or service information please contact the 1 SOUND headquarters.

1 SOUND, Manufacturer
USA Distributor
34 Apple Street
Tinton Falls, NJ 07724

tel. +1-732-798-9900
sales@1-sound.com

Warranty

All manufactured 1 SOUND products are warranted to be free from defects in materials or workmanship for a period of 3 years from original purchase. If there is specific hardware or grilles you might want replaced or any repairs needed please contact your region's authorized 1 SOUND distributor.

