

CONTOUR CT28

HORN-LOADED POINT SOURCE



FEATURES

- 3-Way Enclosure
- Freestanding, Wall, or Ceiling Deployment
- High SPL (max 145 dB @ 1 m)
- Medium-long Throw
- 100° x 50° coverage down to 200 Hz
- IP55 + Salt Water Resistant

APPLICATIONS

- Restaurants
- Lounges
- Houses of Worship
- Theaters
- Entertainment Venues
- Outdoor Systems

DESCRIPTION

The Contour CT28 is a compact, 3-way passive loudspeaker capable of delivering a maximum SPL of 145 dB. This is a powerful speaker that sounds intimate at lower volumes.

The Contour combines two 8" low-frequency drivers and a coaxial 4" + 2" mid-high compression driver in a horn-loaded point-source enclosure that delivers a controlled 100° x 50° coverage down to 200 Hz, with a bass response down to 70 Hz. It is a medium-to-long throw point-source that maintains its directionality in the far field.

With its compact format coupled with its versatile accessories, this loudspeaker is useful for small to large installations and live production audio.

SPECIFICATIONS

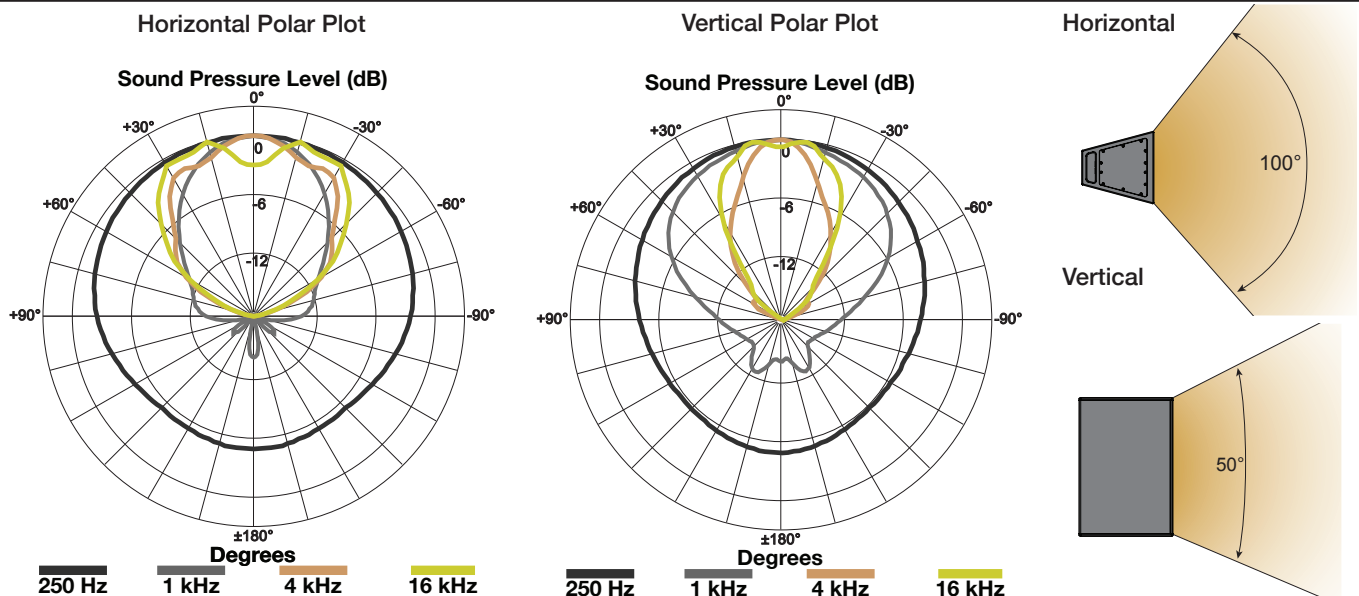
Audio Specifications

- Description:** Passive, compact, 3-way loudspeaker, lightweight horn-loaded point source
- Bandwidth:** 70 Hz - 18 kHz (-6 dB preset dependent)
- Max SPL:** 145 dB @ 1 m with preset
- Power:** 1780 W (continuous)
- Directivity:** 100° x 50°
- Elements:** (2) 8" low frequency drivers, (1) 4" + 2" coaxial mid-high compression driver
- Impedance:** 8 Ω
- Connectors:** (2) NL4 audio input and link

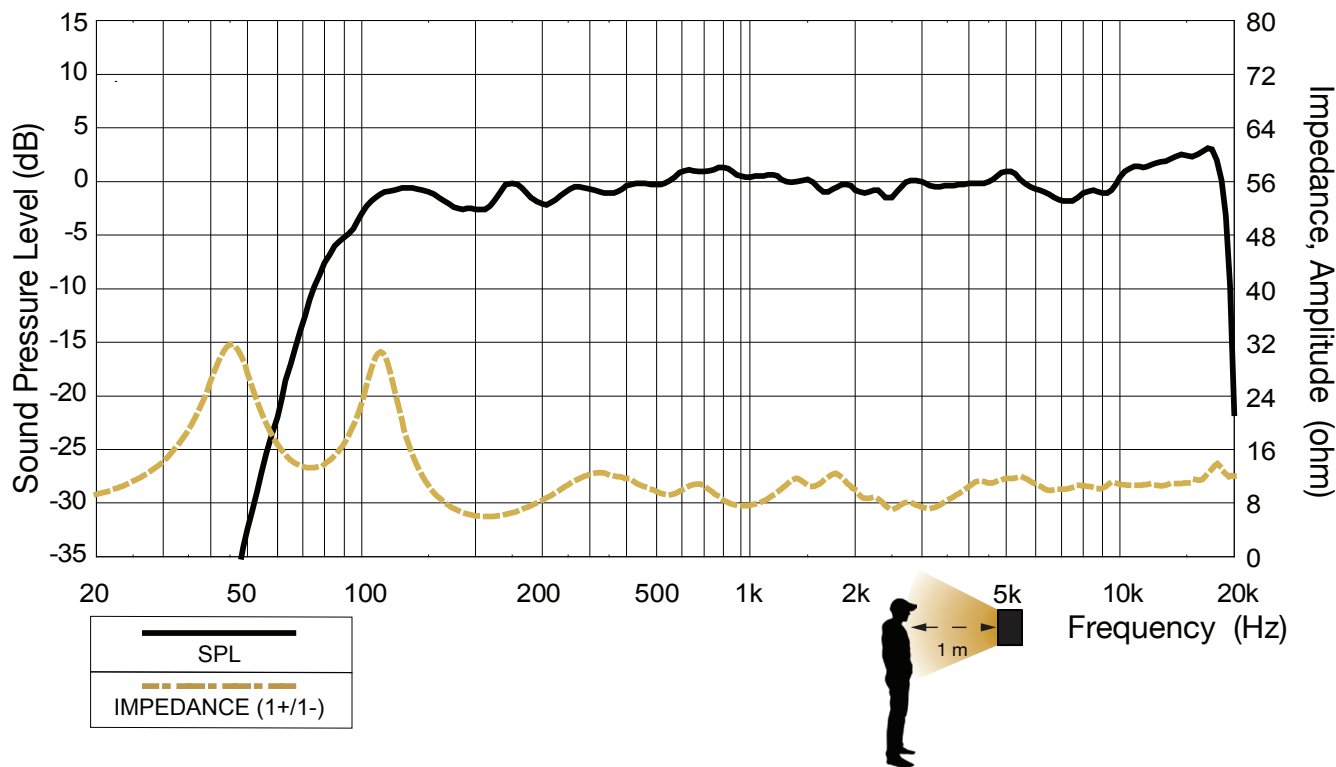
Mechanical Specifications

- IP Rating:** IP55 indoor/outdoor and salt water resistant
- Rigging:** (8) M5 points, (4) M6 points
- Weight:** 44 lbs / 20 kg
- Construction:** Finland birch plywood (phenolic glue), structural stainless steel interior, polyurea, clear matte salt and UV resistant coating, 316 stainless steel hardware, 3D spacer mesh fabric
- Dimensions:** 13.6" (345 mm) x 13.6" (345 mm) x 20" (510 mm)
- Colors:** Stocking black and white, custom colors and fabrics available
- Accessories:** CT28 Horizontal Mounting Bracket, CT28 Wall Bracket, Contour Adjustable Rigging System, Tube Mount, removable magnetic front grille

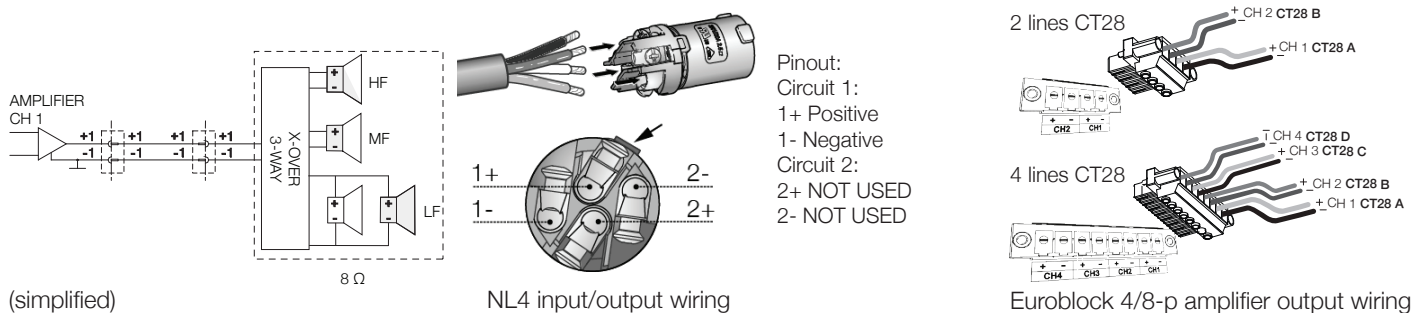
DIRECTIVITY



FREQUENCY RESPONSE

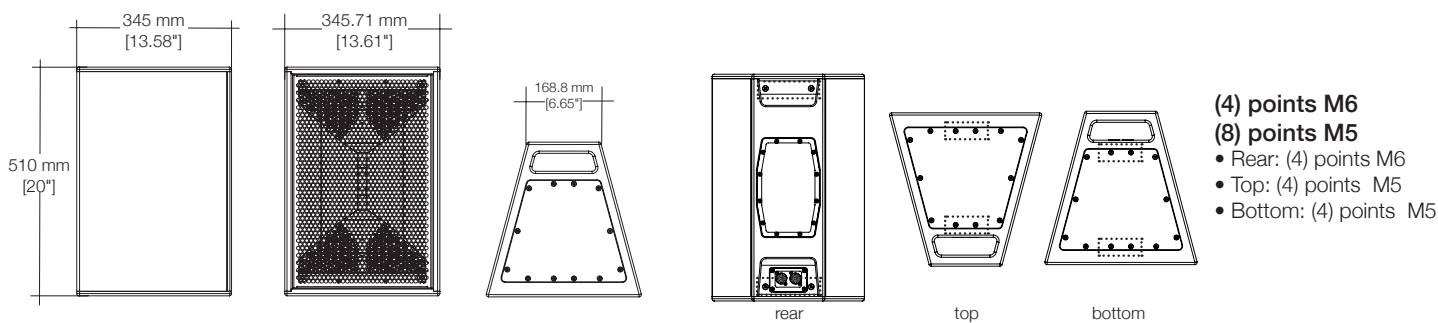


WIRING

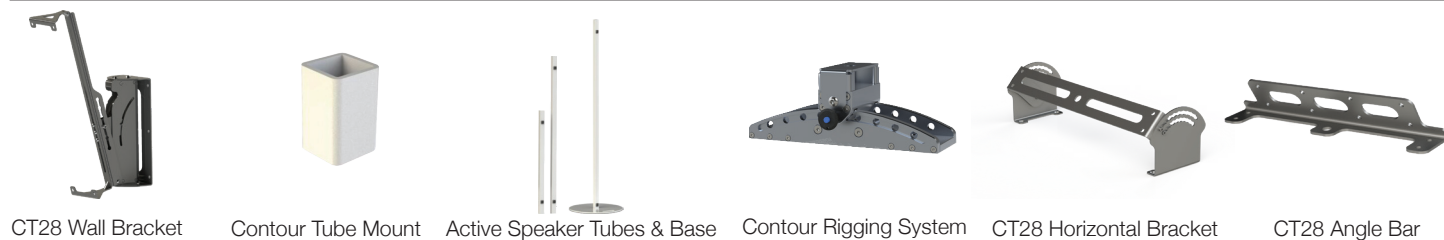


DIMENSIONS

RIGGING



ACCESSORIES



Contact

For more product or service information please contact the 1 SOUND headquarters.

1 SOUND, Manufacturer
 USA Distributor
 34 Apple Street
 Tinton Falls, NJ 07724

tel. +1-732-798-9900
 sales@1-sound.com

Warranty

All manufactured 1 SOUND products are warranted to be free from defects in materials or workmanship for a period of 3 years from original purchase. If there is specific hardware or grilles you might want replaced or any repairs needed please contact your region's authorized 1 SOUND distributor.